

Data Sheets

Accessories

Tranquillity - Square



Paper holder SQUARE

Tranquillity Square Accessories

Product codes: BA11-5/ BA11-5 Black/
BA11-5 BSS/ BA11-5 GM/ BA11-5 Brass

Dimensions: 165(w) x 40(h) x 100(d) mm

tranquillity
bathroomware

Features

Guaranteed for 5 years against manufacturing defects • Easily installed into new or existing bathrooms.



Polished
BA11-5



Brushed Stainless
BA11-5 BSS



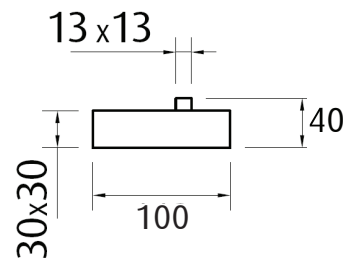
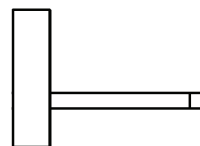
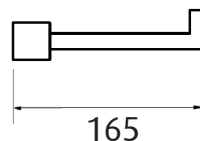
Black
BA11-5 Black



Brushed Brass
BA11-5 Brass



Brushed Gun-metal
BA11-5 GM



Note: Manufacturing tolerances could cause variances of ± 5 mm.



Single robe hook SQUARE
Tranquillity Square Accessories
Product codes: BA11-3/ BA11-3 Black/
BA11-3 BSS/ BA11-3 GM/ BA11-3 Brass
Dimensions: 30(w) x 50(h) x 60(d) mm

tranquillity
bathroomware

Features

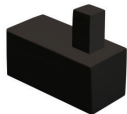
Guaranteed for 5 years against manufacturing defects • Easily installed into new or existing bathrooms.



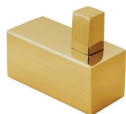
Polished
BA11-3



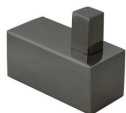
Brushed Stainless
BA11-3 BSS



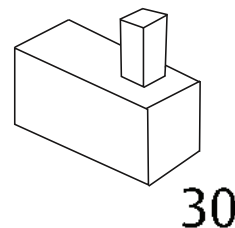
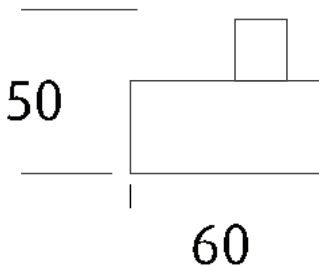
Black
BA11-3 Black



Brushed Brass
BA11-3 Brass



Brushed Gun-metal
BA11-3 GM



Note: Manufacturing tolerances could cause variances of ± 5 mm.



Toilet brush holder SQUARE

Tranquillity Square Accessories

Product codes: BA11-11/ BA11-11 Black/
BA11-11 BSS/ BA11-11 GM

Dimensions: 90(w) x 30(h) x 133(d) mm

tranquillity
bathroomware

Features

Guaranteed for 5 years against manufacturing defects • Easily installed into new or existing bathrooms.



Polished
BA11-11



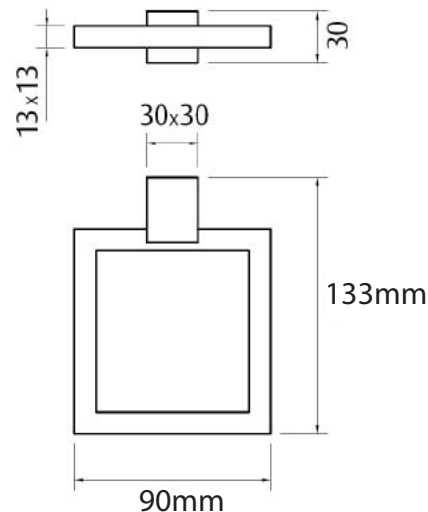
Black
BA11-11 Black



Brushed Stainless
BA11-11 BSS



Brushed Gun-metal
BA11-11 GM



Note: Manufacturing tolerances could cause variances of ± 5 mm.



Single towel rail SQUARE

Tranquillity Square Accessories

Product codes: BA11-8 300/BA11-8 300 Black/
BA11-8 300 BSS/BA11-8 300 GM

Dimensions: 100(w) x 30(h) x 370(l) mm

tranquillity
bathroomware

Features

Guaranteed for 5 years against manufacturing defects • Easily installed into new or existing bathrooms.



Polished
BA11-8 300



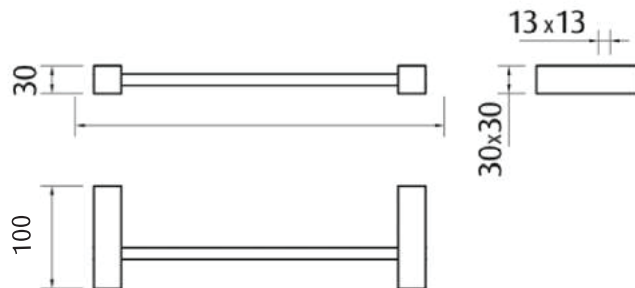
Black
BA11-8 300 Black



Brushed Stainless
BA11-8 300 BSS



Brushed Gun-metal
BA11-8 300 GM



Note: Manufacturing tolerances could cause variances of ± 5 mm.



Single towel rail SQUARE

Tranquillity Square Accessories

Product codes: BA11-8 600/BA11-8 600 Black/
BA11-8 600 BSS/BA11-8 600 GM

Dimensions: 100(w) x 30(h) x 670(l) mm

tranquillity
bathroomware

Features

Guaranteed for 5 years against manufacturing defects • Easily installed into new or existing bathrooms.



Polished
BA11-8 600



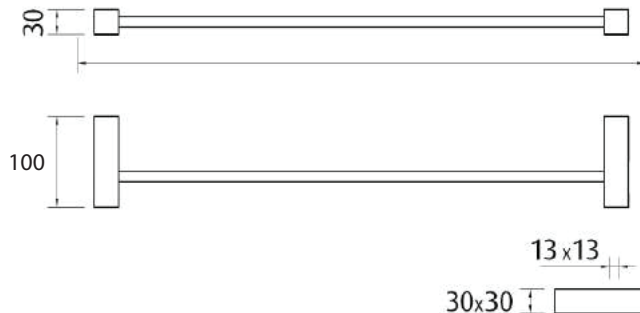
Black
BA11-8 600 Black



Brushed Stainless
BA11-8 600 BSS



Brushed Gun-metal
BA11-8 600 GM



Note: Manufacturing tolerances could cause variances of ± 5 mm.



Toughened glass shelf SQUARE

Tranquillity Square Accessories

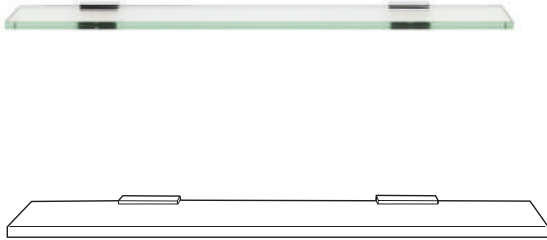
Product codes: BA11-13 450/BA11-13 600

tranquillity
bathroomware

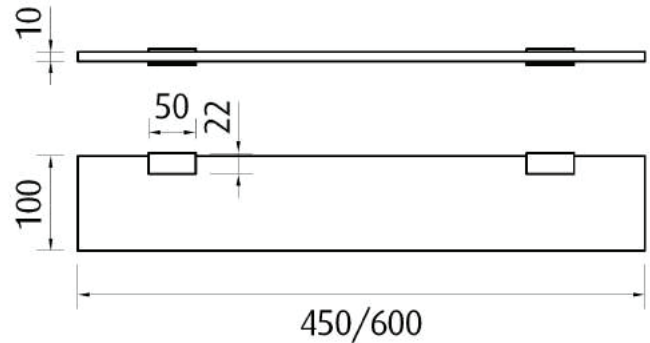
Dimensions: 100(d) x 10(h) x 450/600(l) mm

Features

Guaranteed for 5 years against manufacturing defects • Easily installed into new or existing bathrooms.



Polished
BA11-13 450/BA11-13 600



Note: Manufacturing tolerances could cause variances of ± 5 mm.



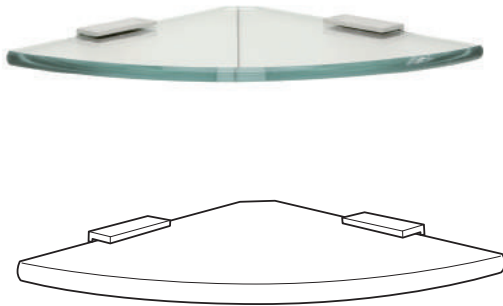
Corner shelf SQUARE
Tranquillity Square Accessories
Product codes: BA11-13 200

tranquillity
bathroomware

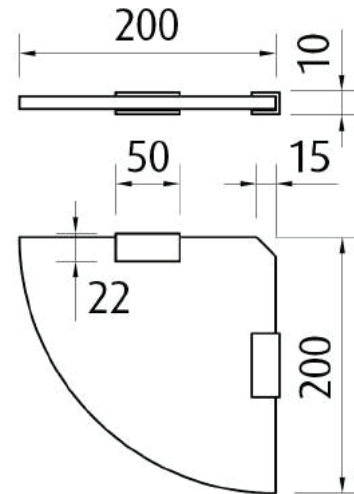
Dimensions: 200(w) x 10(h) x 200(d) mm

Features

Guaranteed for 5 years against manufacturing defects • Easily installed into new or existing bathrooms.



Polished
BA11-13 200



Note: Manufacturing tolerances could cause variances of ± 5 mm.



Towel holder SQUARE
Tranquillity Square Accessories
Product codes: BA11-6

tranquillity
bathroomware

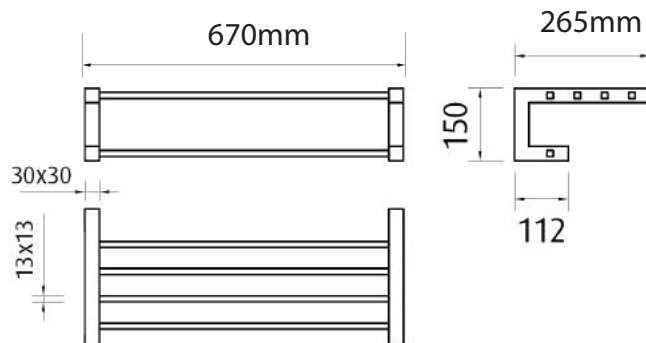
Dimensions: 265(d) x 150(h) x 670(l) mm

Features

Guaranteed for 5 years against manufacturing defects • Easily installed into new or existing bathrooms.



Polished
BA11-6



Note: Manufacturing tolerances could cause variances of ± 5 mm.



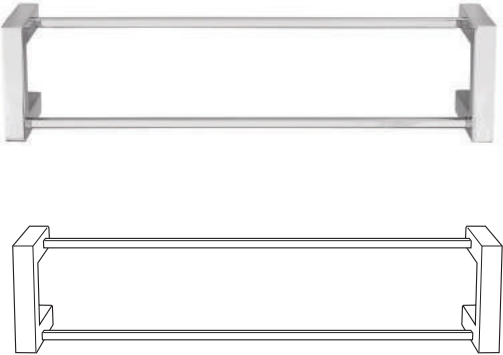
Double towel rail SQUARE
Tranquillity Square Accessories
Product codes: BA11-9



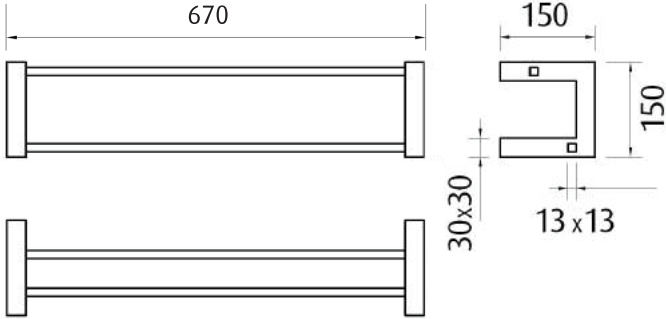
Dimensions: 150(d) x 150(h) x 670(l) mm

Features

Guaranteed for 5 years against manufacturing defects • Easily installed into new or existing bathrooms.



Polished
BA11-9



Note: Manufacturing tolerances could cause variances of ± 5 mm.

