

Data Sheets

Accessories

Tranquillity - Round



Paper holder ROUND

Tranquillity Round Accessories

Product codes: BA10-5/ BA10-5 Black/
BA10-5 BSS/ BA10-5 GM/ BA10-5 Brass

Dimensions: 165(w) x 40(h) x 100(d) mm

tranquillity
bathroomware

Features

Guaranteed for 5 years against manufacturing defects • Easily installed into new or existing bathrooms.



Polished
BA10-5



Brushed Stainless
BA10-5 BSS



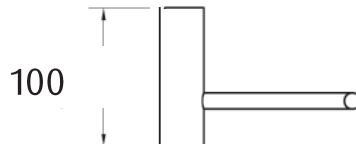
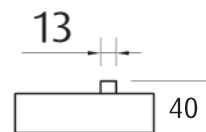
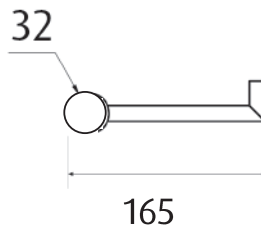
Black
BA10-5 Black



Brushed Brass
BA10-5 Brass



Brushed Gun-metal
BA10-5 GM



Note: Manufacturing tolerances could cause variances of ± 5 mm.



Single robe hook ROUND

Tranquillity Round Accessories

Product codes: BA10-3/ BA10-3 Black/
BA10-3 BSS/ BA10-3 GM/ BA10-3 Brass

Dimensions: 38(w) x 54(h) x 60(d) mm

tranquillity
bathroomware

Features

Guaranteed for 5 years against manufacturing defects • Easily installed into new or existing bathrooms.



Polished
BA10-3



Brushed Stainless
BA10-3 BSS



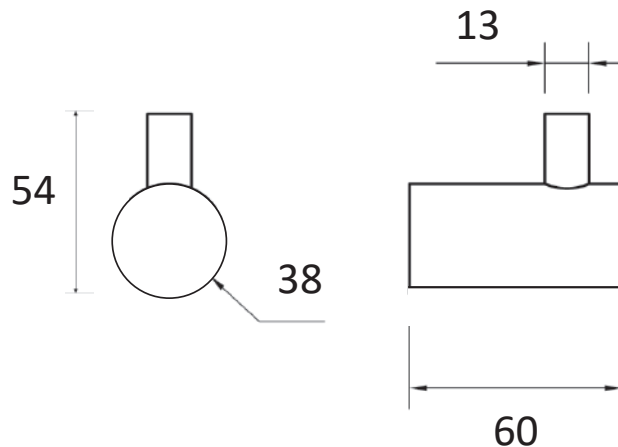
Black
BA10-3 Black



Brushed Brass
BA10-3 Brass



Brushed Gun-metal
BA10-3 GM



Note: Manufacturing tolerances could cause variances of ± 5 mm.



Toilet brush holder ROUND

Tranquillity Round Accessories

Product codes: BA10-11/ BA10-11 Black/
BA10-11 BSS/ BA10-11 GM

Dimensions: 89(w) x 38(h) x 133(d) mm

tranquillity
bathroomware

Features

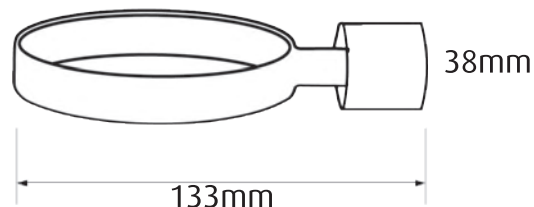
Guaranteed for 5 years against manufacturing defects • Easily installed into new or existing bathrooms.



Polished
BA10-11



Black
BA10-11 Black



Brushed Stainless
BA10-11 BSS



Brushed Gun-metal
BA10-11 GM

Note: Manufacturing tolerances could cause variances of ± 5 mm.



Single towel rail ROUND

Tranquillity Round Accessories

Product codes: BA10-8 300/BA10-8 300 Black/
BA10-8 300 BSS/BA10-8 300 GM

Dimensions: 100(w) x 31.8(h) x 370(l) mm

tranquillity
bathroomware

Features

Guaranteed for 5 years against manufacturing defects • Easily installed into new or existing bathrooms.



Polished
BA10-8 300



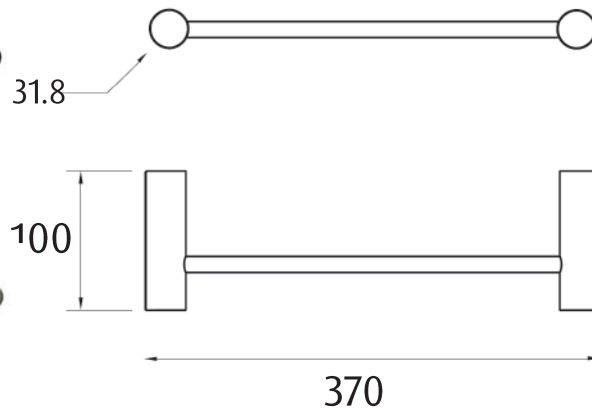
Black
BA10-8 300 Black



Brushed Stainless
BA10-8 300 BSS



Brushed Gun-metal
BA10-8 300 GM



Note: Manufacturing tolerances could cause variances of ± 5 mm.



Single towel rail ROUND

Tranquillity Round Accessories

Product codes: BA10-8 600/BA10-8 600 Black/
BA10-8 600 BSS/BA10-8 600 GM

Dimensions: 100(w) x 31.8(h) x 670(l) mm

tranquillity
bathroomware

Features

Guaranteed for 5 years against manufacturing defects • Easily installed into new or existing bathrooms.



Polished
BA10-8 600



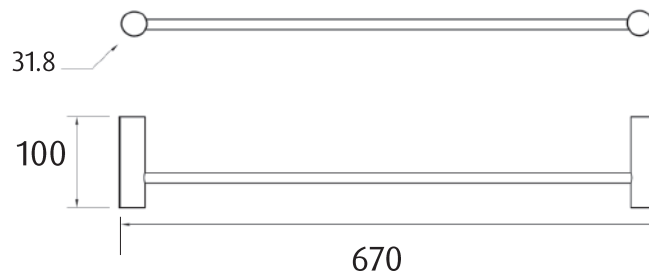
Black
BA10-8 600 Black



Brushed Stainless
BA10-8 600 BSS



Brushed Gun-metal
BA10-8 600 GM



Note: Manufacturing tolerances could cause variances of ± 5 mm.



Toughened glass shelf ROUND

Tranquillity Round Accessories

Product codes: BA10-13 450/BA10-13 600

tranquillity
bathroomware

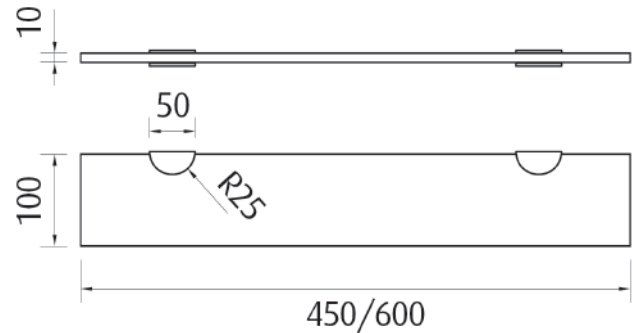
Dimensions: 100(d) x 10(h) x 450/600(l) mm

Features

Guaranteed for 5 years against manufacturing defects • Easily installed into new or existing bathrooms.



Polished
BA10-13 450/BA10-13 600



Note: Manufacturing tolerances could cause variances of ± 5 mm.



5
YEAR
WARRANTY

Corner shelf ROUND

Tranquillity Round Accessories

Product codes: BA10-13 200

tranquillity
bathroomware

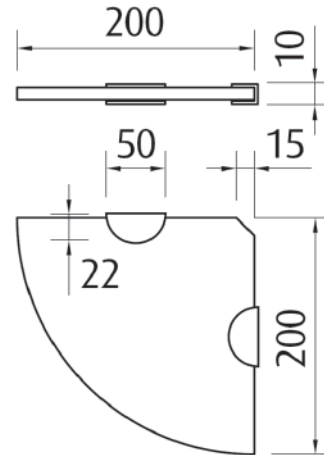
Dimensions: 200(w) x 10(h) x 200(d) mm

Features

Guaranteed for 5 years against manufacturing defects • Easily installed into new or existing bathrooms.



Polished
BA10-13 200



Note: Manufacturing tolerances could cause variances of ± 5 mm.



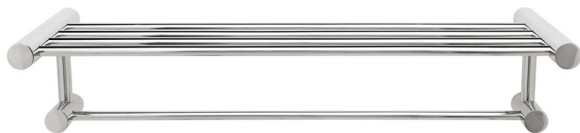
Towel holder ROUND
Tranquillity Round Accessories
Product codes: BA10-6

tranquillity
bathroomware

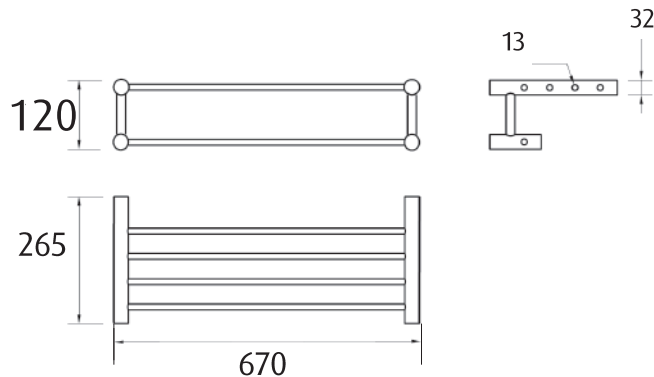
Dimensions: 265(d) x 120(h) x 670(l) mm

Features

Guaranteed for 5 years against manufacturing defects • Easily installed into new or existing bathrooms.



Polished
BA10-6



Note: Manufacturing tolerances could cause variances of ± 5 mm.



Double towel rail ROUND

Tranquillity Round Accessories

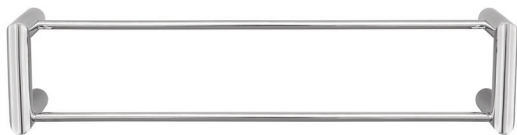
Product codes: BA10-9

tranquillity
bathroomware

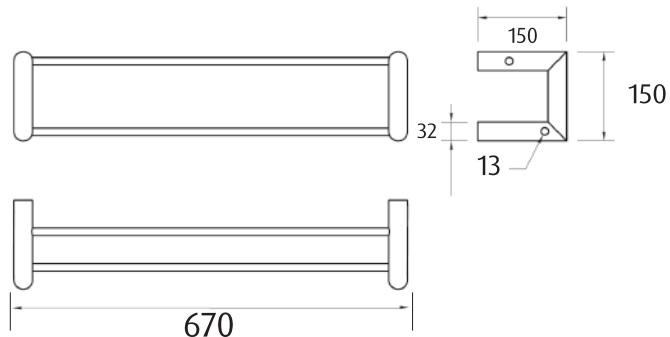
Dimensions: 150(d) x 150(h) x 670(l) mm

Features

Guaranteed for 5 years against manufacturing defects • Easily installed into new or existing bathrooms.



Polished
BA10-9



Note: Manufacturing tolerances could cause variances of ± 5 mm.

