

round / square models installation instructions

Installation Instructions

Please note that this appliance must be installed as prescribed by the relevant wiring rules and regulations, including the regulations covering installation of appliances and accessories in 'wet areas' such as bathrooms, showers and laundries. Installations should be in accordance with AS/NZS 3000:2007.

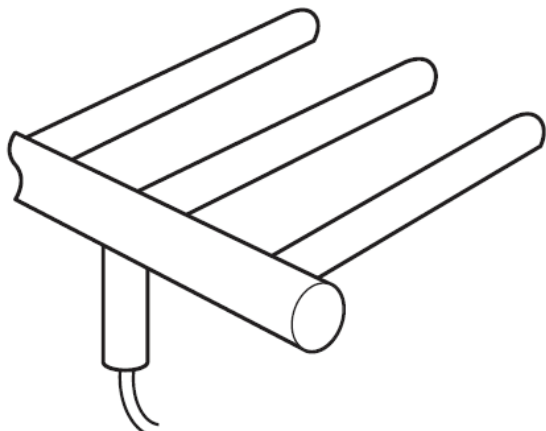
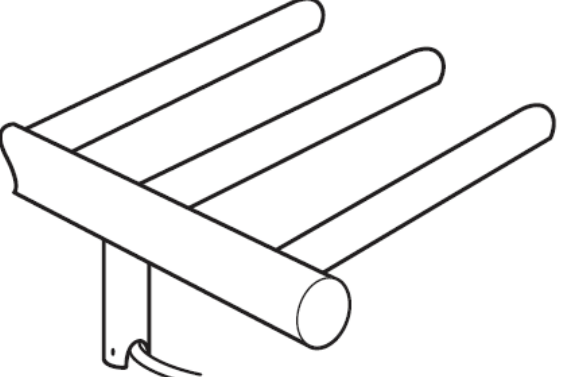
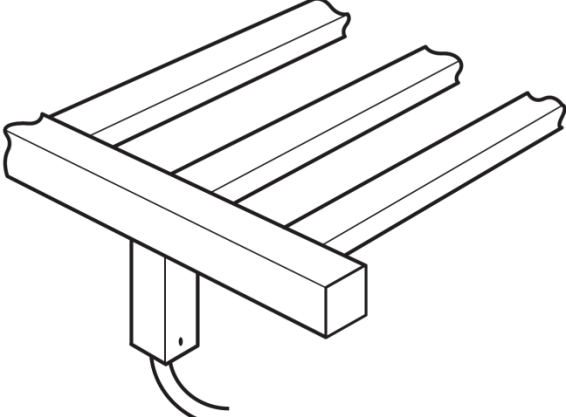
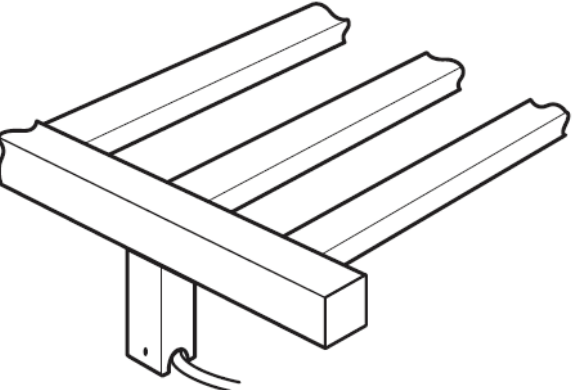
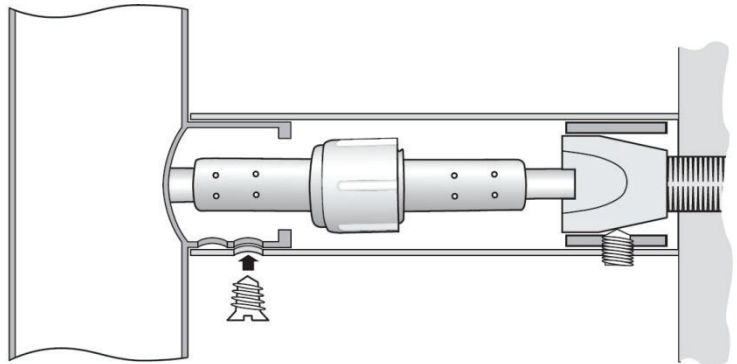
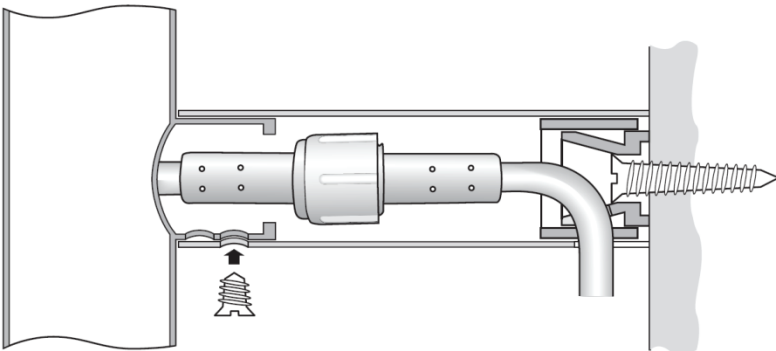
Note:

- This class 1 appliance requires an earth connection.
- An accessible all pole disconnection switch is required in the fixed wiring.

The heated towel rail should be mounted vertically with the cord exiting from the base; it should be positioned at least 600mm above the floor.

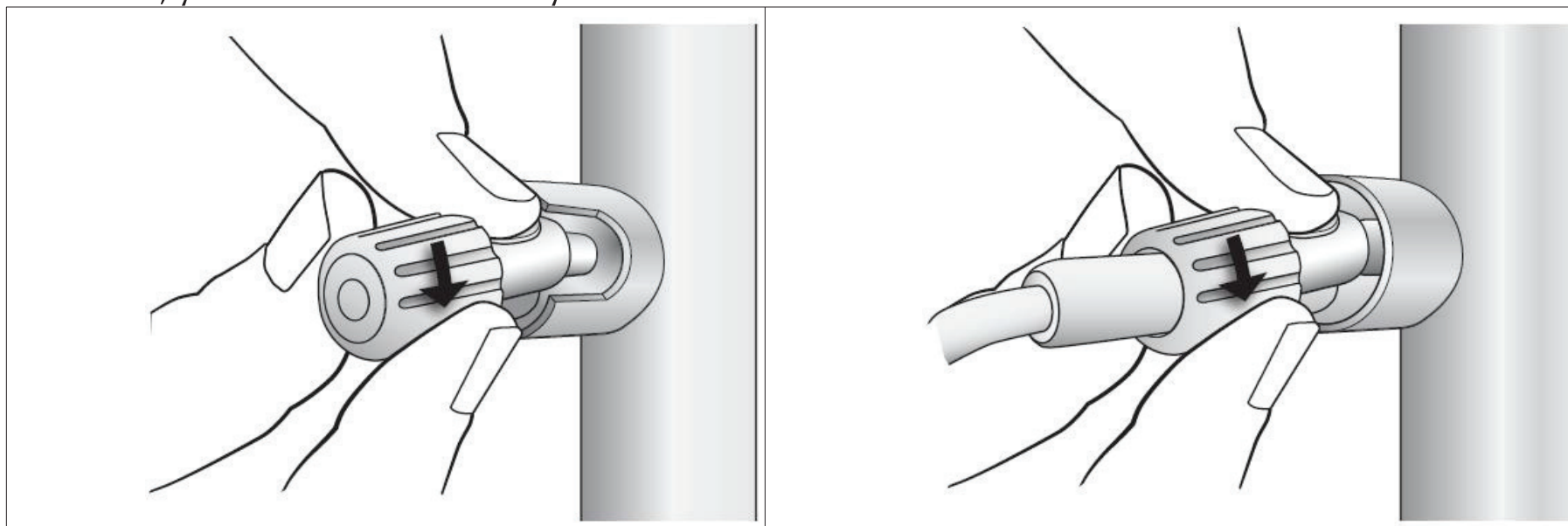
Recommended mounting procedures

1. Select the method of cord entry required – whether exposed or concealed.

	Concealed cord entry to be used where no existing outlet is present.	Exposed cord entry to be used where an existing permanent connection outlet is already wired.
Round		
Square		
		

Recommended mounting procedures (cntd)

2. Select which side of the towel rail needs to be wired in. Depending on the location of existing wiring through or on the wall, you can decide which side you will use.



3. Select a desired position to mount the towel rail i.e. at least 600mm above the floor and 300mm away from all permanent objects in the surrounding area.
4. Using a pencil, draw around the end of each tube to mark their positions on the wall ensuring that the rail is square on the wall.
5. Screw the mounting inserts securely to the wall at the locations marked.
6. Press the towel rail onto the mounting inserts gradually, checking that each leg is lined up with the mounting inserts before applying force.
7. Mount the towel rail with a single grub screw on each of the 4 brackets as shown in the drawing.

Safety information

As with any electrical appliance, you should be aware of basic safety precautions when using this heated towel rail. Please read these instructions, and file them for future reference:

- Because this appliance gets hot, young children and infirm people should be closely supervised when nearby. Do not let young children treat the towel rail as a toy.
- Special purpose tools are required for the replacement of the power supply cord and element.
- Be aware that the towel rail will get slightly hotter than normal during warmer weather and when insulated by towels.
- The rail should NOT be used for anything other than its intended use.
- Do not put the towels or anything else which has been in contact with hazardous liquids on this towel rail.
- Use this appliance only on the voltage specified on the rating label.
- Electrical work to be performed by a registered electrician.
- Do NOT immerse the towel rail in any liquid.
- Make sure the supply cord never touches heated surfaces.
- Ensure that the towel rail is wiped down from time to time with a damp cloth and a stainless steel cleaner. Do not use any abrasives or corrosive cleaners.
- If the electrical cord or connection is damaged DO NOT attempt to repair; please contact the supplier.

WARNING: DO NOT install towel rails in areas which may be subjected to saturation of water resulting in ingress of moisture. It is recommended that all units are protected via a R.C.D(Residual Current Device) circuit.

Operation:

It will take about ¾ hour to heat up to the desired temperature and can, if desired, be left running constantly.

Heated Towel Rails - Specifications

JERSEY ROUND AND SQUARE	Shape	Finish	IP Rating	Bars	Width	Height	Depth	Wattage	Concealed cable	Cable
ER4/ER4 Black/ER4 BSS/ER4 GM/ER4 Brass	Round	SS/MB/BSS/GM/BRASS	IP45	4	550	500	120	40W	Included	Universal
ER6/ER6 Black/ER6 BSS/ER6 GM/ER6 Brass	Round	SS/MB/BSS/GM/BRASS	IP45	6	600	780	120	60W	Included	Universal
ER9/ER9 Black/ER9 BSS/ER9 GM/ER9 Brass	Round	SS/MB/BSS/GM/BRASS	IP45	9	600	1200	120	90W	Included	Universal
MS4/MS4 Black/MS4 BSS/MS4 GM/MS4 Brass	Square	SS/MB/BSS/GM/BRASS	IP45	4	620	500	120	40W	Included	Universal
MS7/MS7 Black/MS7 BSS/MS7 GM/MS7 Brass	Square	SS/MB/BSS/GM/BRASS	IP45	7	620	920	120	80W	Included	Universal
MS10/MS10 Black/MS10 BSS/MS10 GM/MS10 Brass	Square	SS/MB/BSS/GM/BRASS	IP45	10	620	1340	120	110W	Included	Universal



MANHATTAN ROUND CURVED	Shape	Finish	IP Rating	Bars	Width	Height	Depth	Wattage	Concealed cable	Cable
MC6	Round	SS	IP45	6	620	700	150	60W	Included	Universal
MC9	Round	SS	IP45	9	620	940	150	90W	Included	Universal
MC12	Round	SS	IP45	12	620	1180	150	120W	Included	Universal



PLATINO RECTANGULAR	Shape	Finish	IP Rating	Bars	Width	Height	Depth	Wattage	Concealed cable	Cable
PRE56	Rectangular	SS	IP45	5	600	680	120	50W	Included	Universal
PRE58	Rectangular	SS	IP45	5	850	680	120	70W	Included	Universal
PRE8	Rectangular	SS	IP45	8	600	1100	120	80W	Included	Universal



ENSUITE RANGE	Shape	Finish	IP Rating	Bars	Width	Height	Depth	Wattage	Concealed cable	Cable
MENR7/MENR7 BSS	Round	SS/BSS	IP45	7	450	920	120	60W	Included	Universal
MEN10	Round	SS	IP45	10	450	1340	120	80W	Included	Universal



EXECUTIVE RANGE	Shape	Finish	IP Rating	Bars	Width	Height	Depth	Wattage	Concealed cable	Cable
HTR-TR0601	Round	SS	IP45	6	520	680	120	50W	Included	Universal
HTR-TR0602	Round	SS	IP45	6	850	680	120	80W	Included	Universal
HTR-TR0801	Round	SS	IP45	8	600	920	120	80W	Included	Universal
HTR-TR1101	Round	SS	IP45	11	600	1280	120	110W	Included	Universal
HTR-TS0601	Square	SS	IP45	6	520	680	120	50W	Included	Universal
HTR-TS0602	Square	SS	IP45	6	850	680	120	80W	Included	Universal
HTR-TS0801	Square	SS	IP45	8	600	920	120	80W	Included	Universal
HTR-TS1101	Square	SS	IP45	11	600	1280	120	110W	Included	Universal



PREMIUM RANGE	□□°	Finish	IP Rating	Bars	Width	Height	Depth	Wattage	Concealed cable	Cable
HTR-TR1451	Round	SS	IP45	14	510	850	120	110W	Included	Universal
HTR-TR1851	Round	SS	IP45	18	510	1150	120	150W	Included	Universal
HTR-TR1870	Round	SS	IP45	18	700	1150	120	200W	Included	Universal
HTR-TS1451	Square	SS	IP45	14	510	850	120	110W	Included	Universal
HTR-TS1851	Square	SS	IP45	18	510	1150	120	150W	Included	Universal
HTR-TS1870	Square	SS	IP45	18	700	1150	120	200W	Included	Universal



Supply: 230-240V 50Hz, single phase

Class 1 - requires earth connection

Product warranty

Any heated towel rail that is found to be defective due to substandard materials and/or workmanship within the warranty period (see below) will be replaced. To make a claim, contact the store where you purchased your product.

Warranty Period

Jersey Round & Square:

5 years

All other models (Manhattan Round Curved, Platino Rectangular, Ensuite Round, Executive Round & Square, Premium Round & Square)

15 years

Your claim will be assessed based on the information you provide. You will be required to return the defective product for assessment at your cost. This warranty does not cover any installation or removal costs. The benefits given by this warranty are additional to other rights and remedies that you may have under laws relating to our products.

The benefits given by this warranty are additional to other rights and remedies that you may have under laws relating to our products. Our goods come with guarantees that cannot be excluded under the New Zealand/Australian Consumer Law. You are entitled to a replacement or refund for a major failure and for compensation for any other reasonably foreseeable loss or damage. You are also entitled to have the goods repaired or replaced if the goods fail to be of acceptable quality and the failure does not amount to a major failure.

- The warranty does not extend to any consequential loss, damage, misuse, neglect, alteration or incorrect installation.
- Items that have been cleaned with anything other than a stainless steel cleaner, will not be replaced.
- Attach your proof of purchase and keep in a safe place with this warranty form. You must have your proof of purchase for your warranty to be valid.

Concealed cable kit

Installation instructions



Please read these instructions carefully. **Tranquillity New Zealand Ltd** cannot be held responsible if the installation and use of the towel rail is not carried out in accordance with the instructions given below or for materials not supplied by Tranquillity New Zealand Ltd.

Safety

The towel rail is not intended for use by young children or infirm persons without supervision. Young children should be supervised to ensure that they do not play with the appliance. The towel rail has been designed to withstand the loads expected during normal operation as a towel rail. The towel rail is not a ladder and should not be used as such.


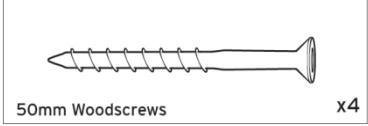
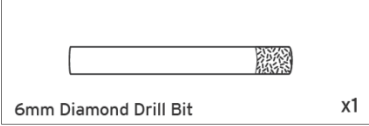
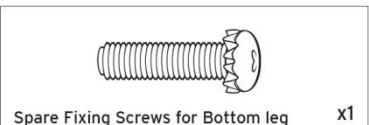

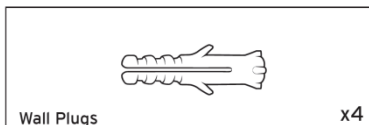
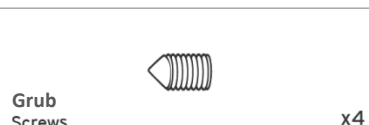
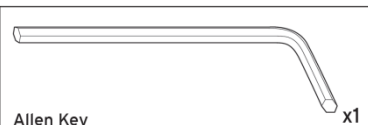
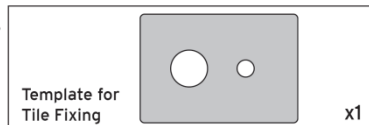
Electrical connections

The towel rail must be wired by a registered electrician. An isolating switch must be positioned near the towel rail. If the supply cord is damaged the entire towel rail must be returned to **Tranquillity New Zealand Ltd**.

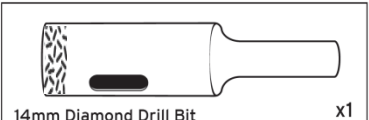
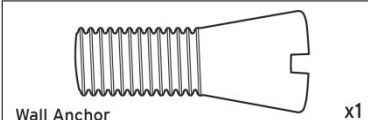

Wall mounting

The towel rail is designed to be fixed through wall cladding into solid timber framing, brick or masonry walls. Plasterboard toggles, of at least 3mm diameter, may be used for 2 of the towel rail fixings.

Fittings checklist

- | | | |
|---|--|--|
| 1. 
3 Mushrooms & 1 Mushroom for exposed wire | 2. 
50mm Woodscrews x4 | 3. 
6mm Diamond Drill Bit x1 |
| 4. 
Spare Fixing Screws for Bottom leg x1 | 5. 
Spare Fixing Screws for Top Leg x2 | 6. 
Wall Plugs x4 |
| 7. 
Grub Screws x4 | 8. 
Allen Key x1 | 9. 
Template for Tile Fixing x1 |

Concealed Kit

- | | | |
|--|---|---|
| 10. 
14mm Diamond Drill Bit x1 | 11. 
Wall Anchor x1 | 12. 
Wall Anchor Sleeve x1 |
|--|---|---|

Concealed cord entry

to be used where no existing outlet is present.



1

Mount the concealed cable mushroom onto the wall. Decide whether left or right handed.



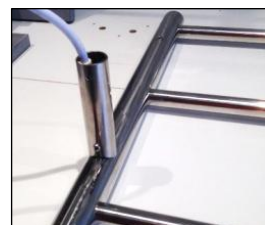
2

If right-handed, remove the cap and plug from the right hand side.



3

Position the cap on the power cord plug.



4

Remove the screw and pass the power cord through the leg. Plug the power cord into the towel rail and tighten the cord to the rail. Slide the leg over the power cord and fix the screw.

5 Fit the other three legs and feed the power cord through the concealed cable mushroom mounted on the wall.

6 Mount the towel rail on the wall and tighten the grub screws on all 4 legs.

Exposed cord entry

to be used where an existing permanent connection outlet is already wired.



1

Select the mushroom with the hole and mount it on the wall.



2

Select the leg with the cutaway and feed the cable through the leg.



3

Tighten the screw to the leg of the towel rail. Fit the other 3 legs to the towel rail.



4

Feed the cable through the hole in the mushroom.

5 Mount the towel rail on the wall and tighten the grub screws on all 4 legs.