

Heated Towel Rails

Jersey Round 4 BAR

Product Code

ER4 | ER4 BLACK | ER4 BSS
ER4 GM | ER4 BRASS

Dimensions (mm)

550(w) x 500(h) x 120(d)mm

Width Centres 520mm

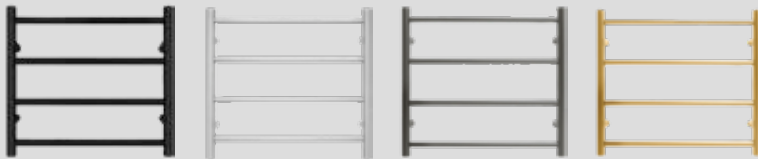
Vertical Centres 300mm



POLISHED ER4

**Finishes: Beautiful and highly durable
palette of exquisite finishes**

(Polished Stainless/Black/Brushed Stainless/Brushed Gunmetal/Brushed Brass)



BLACK
ER4 BLACK

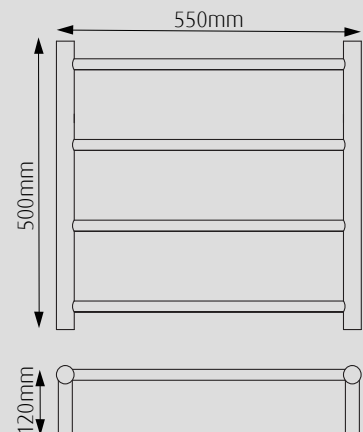
BRUSHED SS
ER4 BSS

BRUSHED GUNMETAL
ER4 GM

BRUSHED BRASS
ER4 BRASS

Features

- 4 bars
- Dual wired-can connect from LH or RH bottom leg
- Concealed wiring kit included
- All fixing accessories included
- 40watts, 230-240 Volts,
- 50 Hz single phase
- Class 1 appliance - requires an earth connection
- Ingress Protection Rating - IP45
Splashproof



Notes : Wiring connection is either LH or RH bottom leg and can be a concealed or exposed connection. It should be positioned at least 600mm above the floor.

Heated Towel Rails

Jersey Round 6 BAR

Product Code

ER6 | ER6 BLACK | ER6 BSS
ER6 GM | ER6 BRASS

Dimensions (mm)

600(w) x 780(h) x 120(d)mm

Width Centres 565mm

Vertical Centres 580mm



POLISHED ER6

Finishes: Beautiful and highly durable
palette of exquisite finishes

(Polished Stainless/Black/Brushed Stainless/Brushed Gunmetal/Brushed Brass)



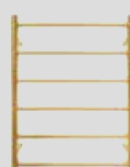
BLACK
ER6 BLACK



BRUSHED SS
ER6 BSS



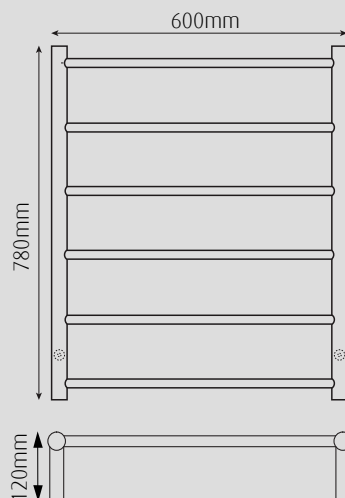
BRUSHED GUNMETAL
ER6 GM



BRUSHED BRASS
ER6 BRASS

Features

- 6 bars
- Dual wired-can connect from LH or RH bottom leg
- Concealed wiring kit included
- All fixing accessories included
- 60watts, 230-240 Volts, 50 Hz single phase
- Class 1 appliance - requires an earth connection
- Ingress Protection Rating - IP45 Splashproof



Notes : Wiring connection is either LH or RH bottom leg and can be a concealed or exposed connection. It should be positioned at least 600mm above the floor.

Heated Towel Rails

Jersey Round 9 BAR

Product Code

ER9 | ER9 BLACK | ER9 BSS
ER9 GM | ER9 BRASS

Dimensions (mm)

600(w) x 1200(h) x 120(d)mm

Width Centres 565mm

Vertical Centres 1000mm



POLISHED ER9

Finishes: Beautiful and highly durable
palette of exquisite finishes

(Polished Stainless/Black/Brushed Stainless/Brushed Gunmetal/Brushed Brass)



BLACK
ER9 BLACK



BRUSHED SS
ER9 BSS



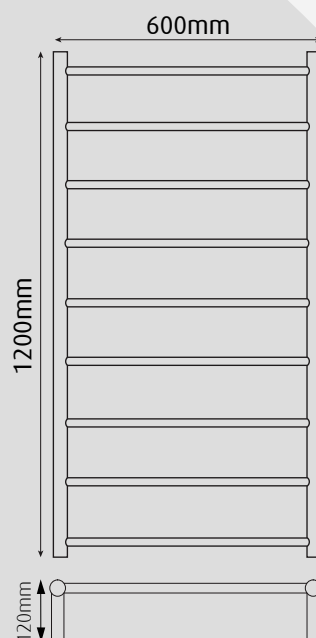
BRUSHED
GUNMETAL
ER9 GM



BRUSHED
BRASS
ER9 BRASS

Features

- 9 bars
- Dual wired-can connect from LH or RH bottom leg
- Concealed wiring kit included
- All fixing accessories included
- 90watts, 230-240 Volts, 50 Hz single phase
- Class 1 appliance - requires an earth connection
- Ingress Protection Rating - IP45 Splashproof



Notes : Wiring connection is either LH or RH bottom leg and can be a concealed or exposed connection. It should be positioned at least 600mm above the floor.