

Heated Towel Rails

Executive Round

Product Code
HTR-TR0601

Dimensions (mm)
520(w) x 680(h) x 120(d)mm

Width Centres 485mm
Vertical Centres 480mm



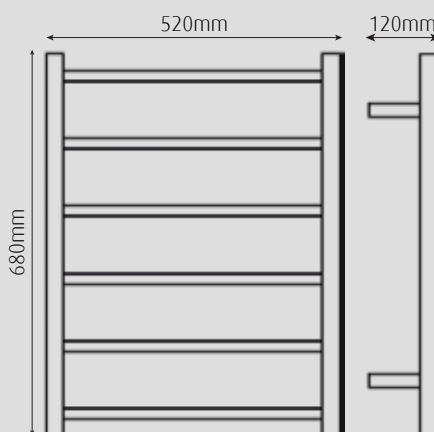
POLISHED
HTR-TR0601

Features

- 6 bars
- Dual wired-can connect from LH or RH bottom leg
- Concealed wiring kit included
- All fixing accessories included

Additional information

- 50watts, 230-240 Volts, 50 Hz single phase
- Class 1 appliance - requires an earth connection
- Ingress Protection Rating - IP45
Splashproof



Notes : Wiring connection is either LH or RH bottom leg and can be a concealed or exposed connection. It should be positioned at least 600mm above the floor.

Heated Towel Rails

Executive Round

Product Code
HTR-TR0602

Dimensions (mm)
850(w) x 680(h) x 120(d)mm

Width Centres 820mm
Vertical Centres 480mm



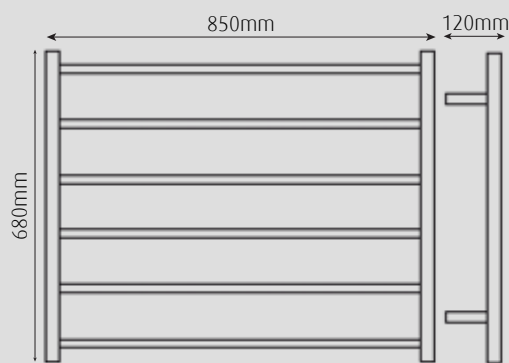
POLISHED
HTR-TR0602

Features

- 6 bars
- Dual wired-can connect from LH or RH bottom leg
- Concealed wiring kit included
- All fixing accessories included

Additional information

- 80watts, 230-240 Volts, 50 Hz single phase
- Class 1 appliance - requires an earth connection
- Ingress Protection Rating - IP45
Splashproof



Notes : Wiring connection is either LH or RH bottom leg and can be a concealed or exposed connection. It should be positioned at least 600mm above the floor.

Heated Towel Rails

Executive Round

Product Code
HTR-TR0801

Dimensions (mm)
600(w) x 920(h) x 120(d)mm

Width Centres 567mm
Vertical Centres 720mm



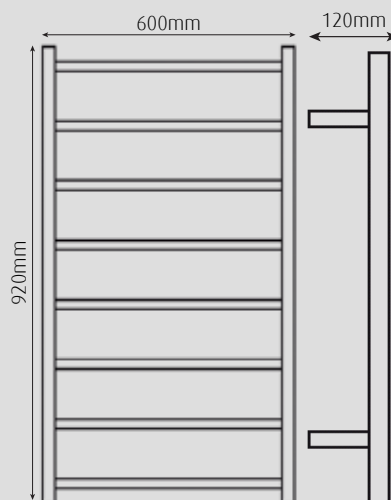
POLISHED
HTR-TR0801

Features

- 8 bars
- Dual wired-can connect from LH or RH bottom leg
- Concealed wiring kit included
- All fixing accessories included

Additional information

- 80watts, 230-240 Volts, 50 Hz single phase
- Class 1 appliance - requires an earth connection
- Ingress Protection Rating - IP45
Splashproof



Notes : Wiring connection is either LH or RH bottom leg and can be a concealed or exposed connection. It should be positioned at least 600mm above the floor.

Heated Towel Rails

Executive Round

Product Code
HTR-TR1101

Dimensions (mm)
600(w) x 1280(h) x 120(d)mm

Width Centres 567mm
Vertical Centres 1080mm



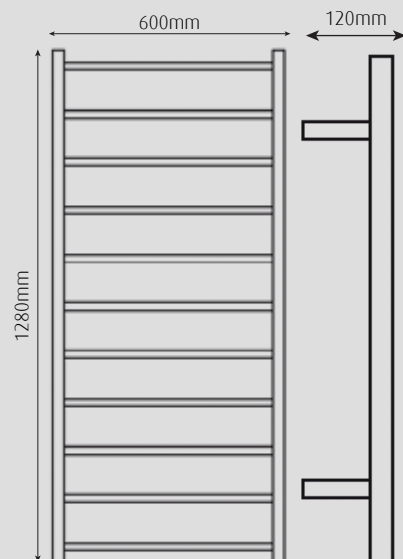
POLISHED
HTR-TR1101

Features

- 11 bars
- Dual wired-can connect from LH or RH bottom leg
- Concealed wiring kit included
- All fixing accessories included

Additional information

- 110watts, 230-240 Volts, 50 Hz single phase
- Class 1 appliance - requires an earth connection
- Ingress Protection Rating - IP45
Splashproof



Notes : Wiring connection is either LH or RH bottom leg and can be a concealed or exposed connection. It should be positioned at least 600mm above the floor.

Heated Towel Rails

Executive Square

Product Code
HTR-TS0601

Dimensions (mm)
520(w) x 680(h) x 120(d)mm

Width Centres 490mm
Vertical Centres 480mm



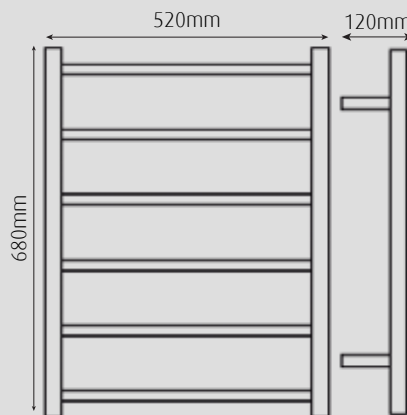
POLISHED
HTR-TS0601

Features

- 6 bars
- Dual wired-can connect from LH or RH bottom leg
- Concealed wiring kit included
- All fixing accessories included

Additional information

- 50watts, 230-240 Volts, 50 Hz single phase
- Class 1 appliance - requires an earth connection
- Ingress Protection Rating - IP45
Splashproof



Notes : Wiring connection is either LH or RH bottom leg and can be a concealed or exposed connection. It should be positioned at least 600mm above the floor.

Heated Towel Rails

Executive Square

Product Code
HTR-TS0602

Dimensions (mm)
850(w) x 680(h) x 120(d)mm

Width Centres 820mm
Vertical Centres 480mm



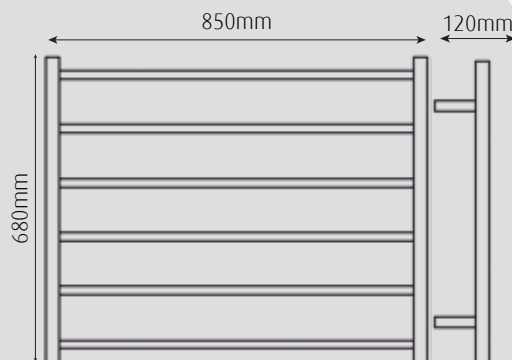
POLISHED
HTR-TS0602

Features

- 6 bars
- Dual wired-can connect from LH or RH bottom leg
- Concealed wiring kit included
- All fixing accessories included

Additional information

- 80watts, 230-240 Volts, 50 Hz single phase
- Class 1 appliance - requires an earth connection
- Ingress Protection Rating - IP45
Splashproof



Notes : Wiring connection is either LH or RH bottom leg and can be a concealed or exposed connection. It should be positioned at least 600mm above the floor.

Heated Towel Rails

Executive Square

Product Code
HTR-TS0801

Dimensions (mm)
600(w) x 920(h) x 120(d)mm

Width Centres 567mm
Vertical Centres 720mm



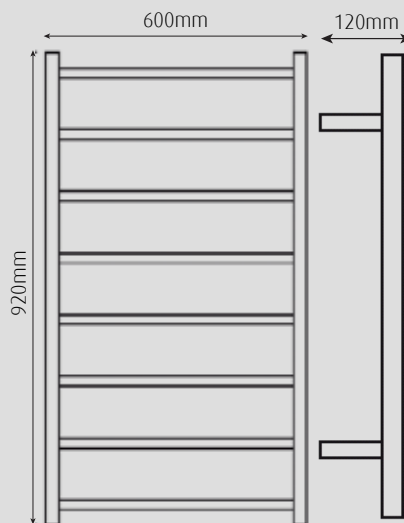
POLISHED
HTR-TS0801

Features

- 8 bars
- Dual wired-can connect from LH or RH bottom leg
- Concealed wiring kit included
- All fixing accessories included

Additional information

- 80watts, 230-240 Volts, 50 Hz single phase
- Class 1 appliance - requires an earth connection
- Ingress Protection Rating - IP45
Splashproof



Notes : Wiring connection is either LH or RH bottom leg and can be a concealed or exposed connection. It should be positioned at least 600mm above the floor.

Heated Towel Rails

Executive Square

Product Code
HTR-TS1101

Dimensions (mm)
600(w) x 1280(h) x 120(d)mm

Width Centres 567mm
Vertical Centres 1080mm



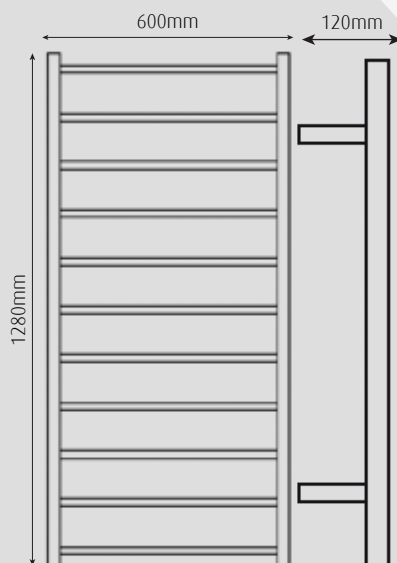
POLISHED
HTR-TS1101

Features

- 11 bars
- Dual wired-can connect from LH or RH bottom leg
- Concealed wiring kit included
- All fixing accessories included

Additional information

- 80watts, 230-240 Volts, 50 Hz single phase
- Class 1 appliance - requires an earth connection
- Ingress Protection Rating - IP45
Splashproof



Notes : Wiring connection is either LH or RH bottom leg and can be a concealed or exposed connection. It should be positioned at least 600mm above the floor.