

Data Sheets

Accessories

Tranquillity
Square



Paper holder SQUARE

Tranquillity Square Accessories

Product code: BA11-5/ BA11-5 Black/ BA11-5

BSS/ BA11-5 GM

Dimensions: 165(w) x 40(h) x 100(d) mm

Features

Guaranteed for 5 years against manufacturing defects • Easily installed into new or existing bathrooms.



Polished STAINLESS STEEL

Code: BA11-5



Jaguar Black STAINLESS STEEL

WITH MATT BLACK FINISH

Code: BA11-5 Black



Brushed STAINLESS STEEL

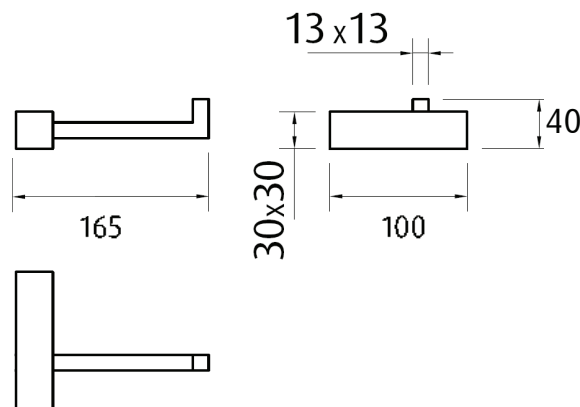
WITH BRUSHED FINISH

Code: BA11-5 BSS



Brushed GUN-METAL

Code: BA11-5 GM



Note: Manufacturing tolerances could cause variances of ± 5 mm.



Single robe hook SQUARE

Tranquillity Square Accessories

Product code: BA11-3/ BA11-3 Black/ BA11-3 BSS/ BA11-3 GM

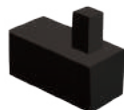
Dimensions: 30(w) x 50(h) x 60(d) mm

Features

Guaranteed for 5 years against manufacturing defects • Easily installed into new or existing bathrooms.



Polished STAINLESS STEEL
Code: BA11-3



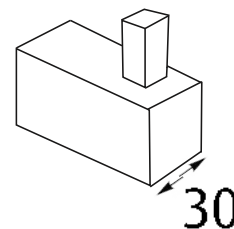
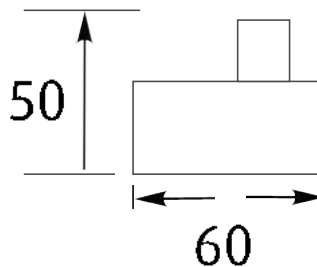
Jaguar Black STAINLESS STEEL
WITH MATT BLACK FINISH
Code: BA11-3 Black



Brushed STAINLESS STEEL
WITH BRUSHED FINISH
Code: BA11-3 BSS



Brushed GUN-METAL
Code: BA11-3 GM



Note: Manufacturing tolerances could cause variances of ± 5 mm.



Toilet brush holder SQUARE

Tranquillity Square Accessories

Product code: BA11-11/ BA11-11 Black/
BA11-11 BSS/BA11-11 GM

Dimensions: 90(w) x 30(h) x 133(d) mm

tranquillity
bathroomware

Features

Guaranteed for 5 years against manufacturing defects • Easily installed into new or existing bathrooms.



Polished STAINLESS STEEL
Code: BA11-11



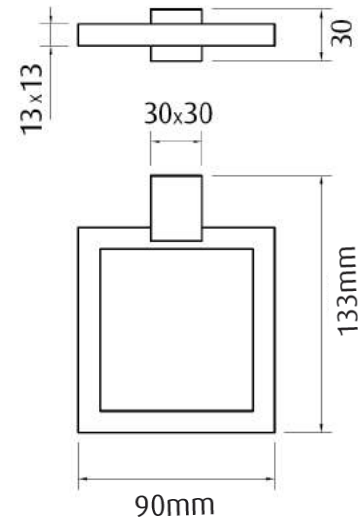
Jaguar Black STAINLESS STEEL
WITH MATT BLACK FINISH
Code: BA11-11 Black



Brushed STAINLESS STEEL
WITH BRUSHED FINISH
Code: BA11-3 BSS



Brushed GUN-METAL
Code: BA11-3 GM



Note: Manufacturing tolerances could cause variances of ± 5 mm.



5
YEAR
WARRANTY

Toughened glass shelf SQUARE

Tranquillity Square Accessories

Product code: BA11-13 450/BA11-13 600

Dimensions: 100(D) x 10(h) x 450/600(l) mm

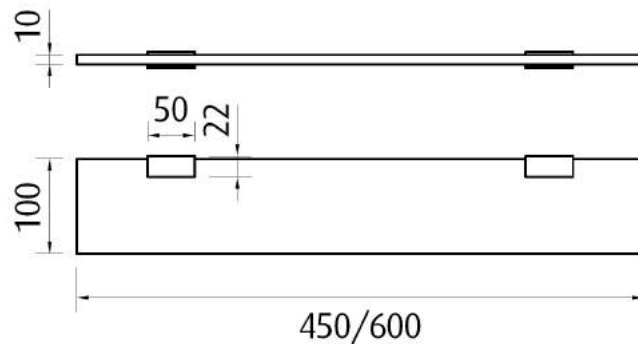
Features

Guaranteed for 5 years against manufacturing defects • Easily installed into new or existing bathrooms.



Polished STAINLESS STEEL

Code: BA11-13 450/ BA11-13 600



Note: Manufacturing tolerances could cause variances of ± 5 mm.



Singe towel rail SQUARE

Tranquillity Square Accessories

Product code: BA11-8 300/ BA11-8 300 Black
BA11-8 300 BSS/BA11-8 300 GM

Dimensions: 100(w) x 30(h) x 370(l) mm

tranquillity
bathroomware

Features

Guaranteed for 5 years against manufacturing defects • Easily installed into new or existing bathrooms.



Polished STAINLESS STEEL
Code: BA11-8 300



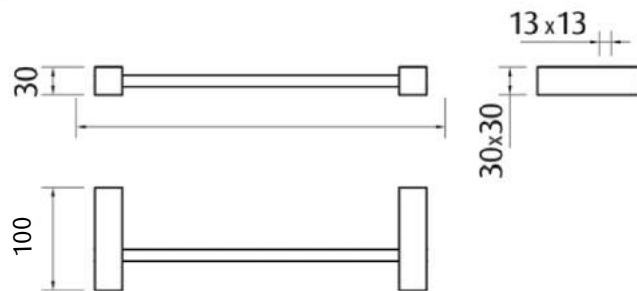
Jaguar Black STAINLESS STEEL
WITH MATT BLACK FINISH
Code: BA11-8 300 Black



Brushed STAINLESS STEEL
WITH BRUSHED FINISH
Code: BA11-8 300 BSS



Brushed GUN-METAL
Code: BA11-8 300 GM



Note: Manufacturing tolerances could cause variances of ± 5 mm.



5
YEAR
WARRANTY

Singe towel rail SQUARE

Tranquillity Square Accessories

Product code: BA11-8 600/ BA11-8 600 Black

BA11-8 600 BSS/BA11-8 600 GM

Dimensions: 100(w) x 30(h) x 670(l) mm

tranquillity
bathroomware

Features

Guaranteed for 5 years against manufacturing defects • Easily installed into new or existing bathrooms.



Polished STAINLESS STEEL

Code: BA11-8 600



Jaguar Black STAINLESS STEEL

WITH MATT BLACK FINISH

Code: BA11-8 600 Black



Brushed STAINLESS STEEL

WITH BRUSHED FINISH

Code: BA11-8 600 BSS



Brushed GUN-METAL

Code: BA11-8 600 GM



Note: Manufacturing tolerances could cause variances of ± 5 mm.



5
YEAR
WARRANTY

Corner shelf SQUARE

Tranquillity Square Accessories

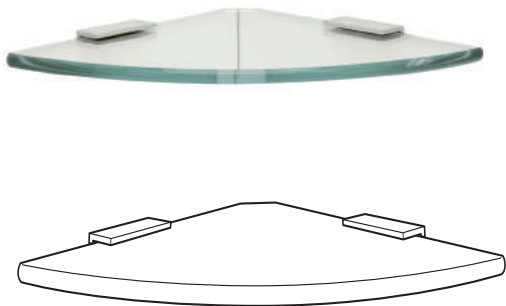
tranquillity
bathroomware

Product code: **BA11-13 200**

Dimensions: 200(w) x 10(h) x 200(d) mm

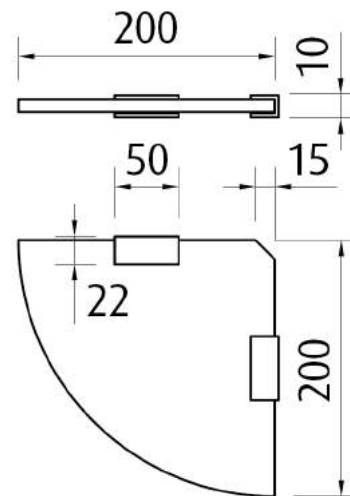
Features

Guaranteed for 5 years against manufacturing defects • Easily installed into new or existing bathrooms.



Polished STAINLESS STEEL

Code: BA11-13 200



Note: Manufacturing tolerances could cause variances of ± 5 mm.



Towel holder SQUARE

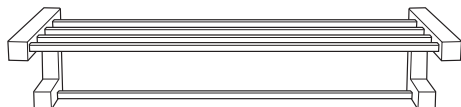
Tranquillity Square Accessories

Product code: **BA11-6**

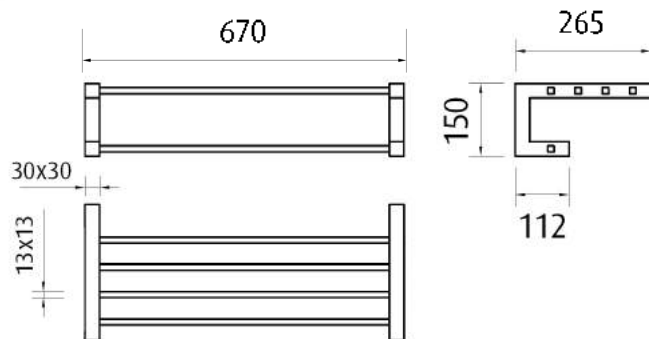
Dimensions: 265(d) x 150(h) x 670(l) mm

Features

Guaranteed for 5 years against manufacturing defects • Easily installed into new or existing bathrooms.



Polished STAINLESS STEEL
Code: BA11-6



Note: Manufacturing tolerances could cause variances of ± 5 mm.



Double towel rail SQUARE

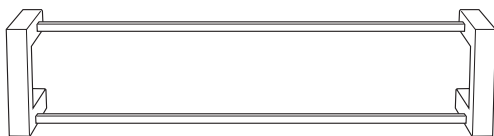
Tranquillity Square Accessories

Product code: **BA11-9**

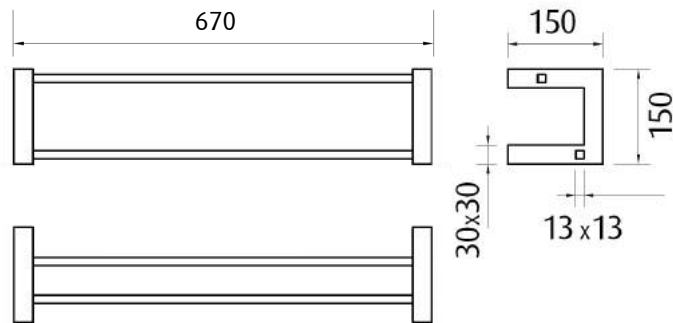
Dimensions: 150(d) x 150(h) x 670(l) mm

Features

Guaranteed for 5 years against manufacturing defects • Easily installed into new or existing bathrooms.



Polished STAINLESS STEEL
Code: BA11-9



Note: Manufacturing tolerances could cause variances of ± 5 mm.

