

round/square models

installation instructions

INSTALLATION INSTRUCTIONS

Please note that this appliance must be installed as prescribed by the relevant wiring rules and regulations, including the regulations covering the installation of appliances & accessories in wet areas such as bathrooms, showers and laundries. Installations should be in accordance with AS/NZS 3000:2007.

Note:

- This class 1 appliance requires an earth connection.
- An accessible all pole disconnection switch is required in the fixed wiring.

The heated towel rail should be mounted vertically with the cord exiting from the base; it should be positioned at least 600mm above the floor.

SAFETY INFORMATION

As with any electrical appliance, you should be aware of the basic safety precautions when using this heated towel rail. Please read these instructions and file them for future reference.

- This appliance is not to be used by persons (including children) with reduced physical, sensory or mental capabilities, or lack of experience and knowledge, unless they have been given supervision or instruction. According to EN60335-1 requirements,, this appliance can be used by children aged from 8 years and above and persons with reduced physical, sensory or mental capabilities or lack of experience and knowledge if they have been given supervision or instruction concerning use of the appliance in a safe way and understand the hazards involved.
- Because this appliance gets hot, young children and infirm people should be closely supervised when near the appliance. Children should be supervised to ensure that they do not play with the appliance. Cleaning and user maintenance shall not be made by children without supervision.

WARNING: In order to avoid a hazard for very young children, this appliance should be installed so that the lowest heated rail is at least 600mm above the floor.

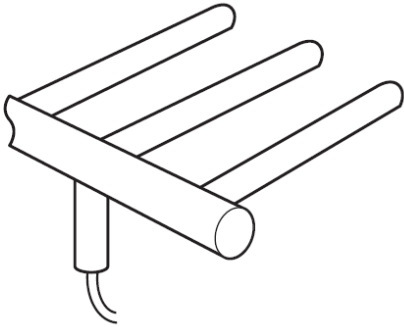
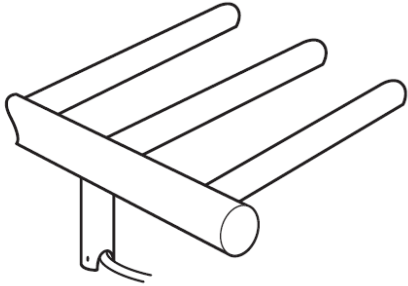
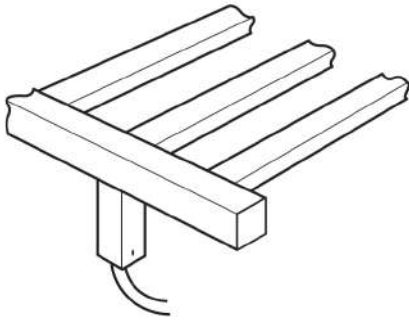
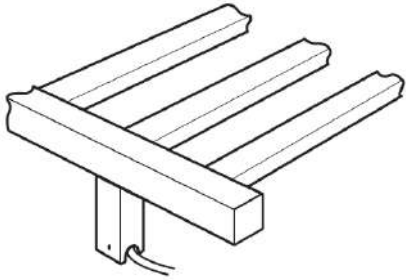
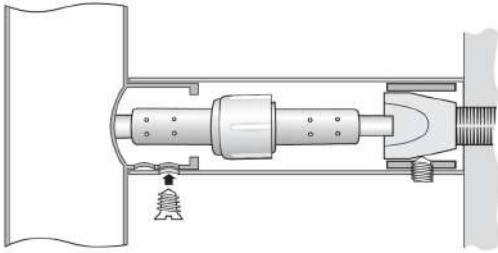
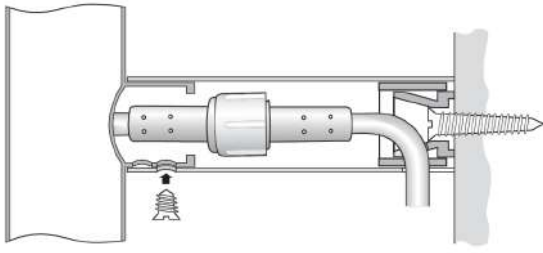
- Be aware that the towel rail will get slightly hotter than normal during warmer weather and when insulated by towels.
- Install the towel rail at least 100 mm away from all permanent objects in the surrounding area. A minimum spacing of 80mm must be observed between two adjacent rails.
- This means for disconnection must be incorporated in the fixed wiring in accordance with the wiring rules.
- The rail should NOT be used for anything other than its intended use.
- It would be very dangerous to put the towels or anything else which has been in contact with hazardous liquids on this towel rail.
- The appliance must only be supplied at safety extra low voltage corresponding to the marking on the appliance. Use this appliance only on the voltage specified on the rating label.
- Electrical work should only ever be done by authorised persons.
- This towel rail is to be installed so that the switches and other controls cannot be touched by a person in the bath or shower.
- DO NOT immerse the towel rail in any liquid.
- Make sure the supply cord never touches heated surfaces.
- Special purpose tools are required for the replacement of the power supply cord and element.
- Ensure that the towel rail is wiped down from time to time with a damp cloth and a stainless steel cleaner. Do not use any abrasives or corrosive cleaners.
- If the electrical cord or connection is damaged DO NOT attempt to repair, please contact the supplier. It must be replaced by the manufacturer or similarly qualified persons in order to prevent a hazard.

WARNING: DO NOT install towel rails in areas which may be subjected to saturation of water resulting in ingress of moisture. It is recommended that all units are protected via a R.C.D (Residual Current Device) circuit.

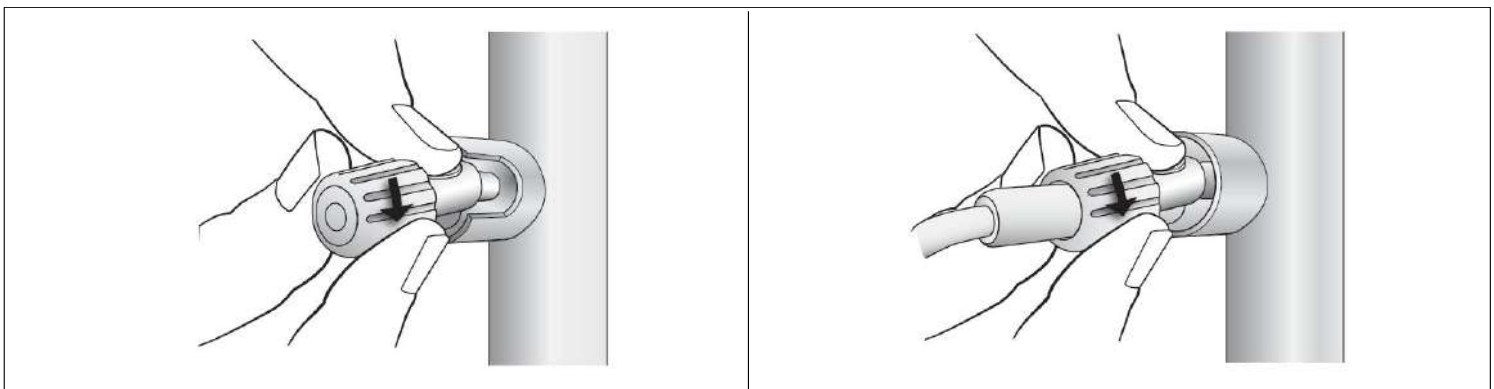
Operation: It will take about ¾ hour to heat up to the desired temperature and can, if desired, be left running constantly.

RECOMMENDED MOUNTING PROCEDURE

1. Select the method of cord entry required - whether exposed or concealed.

	Concealed cord entry to be used where no existing outlet is present.	Exposed cord entry to be used where an existing permanent connection outlet is already wired.
Round		
Square		
		

2. Select which side of the towel rail needs to be wired in. Depending on the location of existing wiring through or on the wall,, you can decide which side you will use.



3. Select a desired position to mount the towel rail i.e. at least 600mm above the floor and 300mm away from all permanent objects in the surrounding area.
4. Using a pencil, draw around the end of each tube to mark their positions on the wall ensuring that the rail is square on the wall.
5. Screw the mounting inserts securely to the wall at the locations made.
6. Press the towel rail onto the mounting inserts gradually, checking that each leg is lined up with the mounting inserts before applying force.
7. Mount the towel rail with a single grub screw on each of the 4 brackets as shown in the drawing.

TOWEL RAIL SPECIFICATIONS

Jersey Round & Square

Warranty: 5 years

Product Code	Shape	Finish	IP Rating	Bars	Height	Width	Depth	Width centres	Vertical centres	Wattage	Concealed cable	Cable
ER4	Round	SS	IP45	4	500	550	120	520	300	40W	Included	Universal
ER6 / ER6 Black/ ER6 BSS/ ER6 GM	Round	SS/MB	IP45	6	780	600	120	580	550	60W	Included	Universal
ER9	Round	SS	IP45	9	1200	600	120	570	1000	90W	Included	Universal
MS4	Square	SS	IP45	4	500	620	120	595	300	40W	Included	Universal
MS7/MS7 Black/ MS7 BSS/MS7 GM	Square	SS/MB	IP45	7	920	620	120	595	720	60W	Included	Universal
MS10	Square	SS	IP45	10	1340	620	120	595	1140	105W	Included	Universal

Manhattan Round Curved

Warranty: 15 years

Product Code	Shape	Finish	IP Rating	Bars	Height	Width	Depth	Width centres	Vertical centres	Wattage	Concealed cable	Cable
MC6	Round	SS	IP45	6	700	620	150	590	500	60W	Included	Universal
MC9	Round	SS	IP45	9	940	620	150	590	740	90W	Included	Universal
MC12	Round	SS	IP45	12	1180	620	150	590	980	115W	Included	Universal

Platino Rectangular

Warranty: 15 years

Product Code	Shape	Finish	IP Rating	Bars	Height	Width	Depth	Width centres	Vertical centres	Wattage	Concealed cable	Cable
PRE56	Rectangular	SS	IP45	5	680	600	120	560	480	50W	Included	Universal
PRE58	Rectangular	SS	IP45	5	680	850	120	810	480	75W	Included	Universal
PRE8	Rectangular	SS	IP45	8	1100	600	120	560	900	75W	Included	Universal

Ensuite Round

Warranty: 15 years

Product Code	Shape	Finish	IP Rating	Bars	Height	Width	Depth	Width centres	Vertical centres	Wattage	Concealed cable	Cable
MENR7	Round	SS	IP45	7	920	450	120	415	720	60W	Included	Universal
MENR10	Round	SS	IP45	10	1340	450	120	415	1140	75W	Included	Universal

Executive Round & Square

Warranty: 15 years

Product Code	Shape	Finish	IP Rating	Bars	Height	Width	Depth	Width centres	Vertical centres	Wattage	Concealed cable	Cable
HTR-TR0601	Round	SS	IP45	6	680	520	120	485	480	50W	Included	Universal
HTR-TR0602	Round	SS	IP45	6	680	850	120	820	480	75W	Included	Universal
HTR-TR0801	Round	SS	IP45	8	920	600	120	575	720	75W	Included	Universal
HTR-TR1101	Round	SS	IP45	11	1280	600	120	570	1080	105W	Included	Universal
HTR-TS0601	Square	SS	IP45	6	680	520	120	490	480	50W	Included	Universal
HTR-TS0602	Square	SS	IP45	6	680	850	120	820	480	75W	Included	Universal
HTR-TS0801	Square	SS	IP45	8	920	600	120	570	720	75W	Included	Universal
HTR-TS1101	Square	SS	IP45	11	1280	600	120	570	1080	105W	Included	Universal

Premium Round & Square

Warranty: 15 years

Product Code	Shape	Finish	IP Rating	Bars	Height	Width	Depth	Width centres	Vertical centres	Wattage	Concealed cable	Cable
HTR-TR1451	Round	SS	IP45	14	850	510	120	485	650	105W	Included	Universal
HTR-TR1851	Round	SS	IP45	18	1150	510	120	480	950	130W	Included	Universal
HTR-TR1870	Round	SS	IP45	18	1150	700	120	670	950	170W	Included	Universal
HTR-TS1451	Square	SS	IP45	14	850	510	120	480	650	105W	Included	Universal
HTR-TS1851	Square	SS	IP45	18	1150	510	120	480	950	130W	Included	Universal
HTR-TS1870	Square	SS	IP45	18	1150	700	120	670	950	170W	Included	Universal

Supply: 230-240V~50Hz, single phase
Class 1 - requires earth connection

tranquillity
bathroomware

PRODUCT WARRANTY

Any heated towel rail that is found to be defective due to substandard materials and/or workmanship within the warranty period (see below) will be replaced. To make a claim, contact the store where you purchased your product.

Warranty period

Jersey round and square	5 years
All other models (Manhattan Round Curved, Platino Rectangular, Ensuite Round, Executive Round & Square, Premium Round & Square)	15 years

Your claim will be assessed based on the information you provide. You will be required to return the defective product for assessment at your cost. This warranty does not cover any installation or removal costs. The benefits given by this warranty are additional to other rights and remedies that you may have under laws relating to our products.

The benefits given by this warranty are additional to other rights and remedies that you may have under laws relating to our products. Our goods come with guarantees that cannot be excluded under the New Zealand/Australian consumer law. You are entitled to a replacement or refund for a major failure and for compensation for any other reasonably foreseeable loss or damage. You are also entitled to have the goods repaired or replaced if the goods fail to be of acceptable quality and the failure does not amount to a major failure.

- The warranty does not extend to any consequential loss, damage, misuse,, neglect, alteration or incorrect installation.
- Items that have been cleaned with anything other than a stainless steel cleaner, will not be replaced.
- Attach your proof of purchase and keep in a safe place with this warranty form. You must have your proof of purchase for your warranty to be valid.