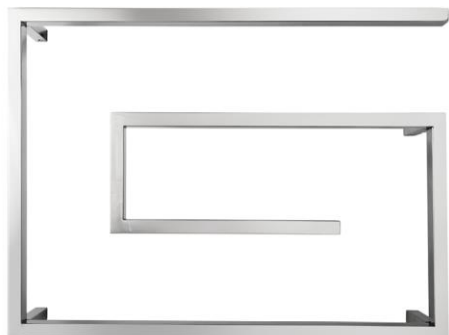
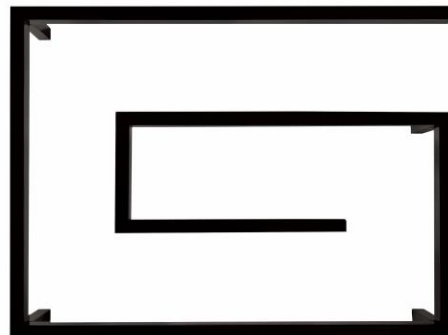


Installation & Operating Instructions



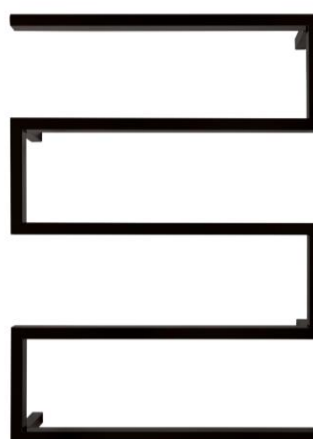
'G' 4 bar SQUARE
PSG



'G' 4 bar SQUARE BLACK
PSG Black



'S' 5 bar SQUARE
PSS



'S' 5 bar SQUARE BLACK
PSS Black



'P' 4 bar SQUARE
PSPC

Please note that this appliance must be installed as prescribed by the relevant wiring rules and regulations, including the regulations covering installation of appliances and accessories in 'wet areas' such as bathrooms, showers and laundries. Installations should be in accordance with AS/NZS 3000:2007.

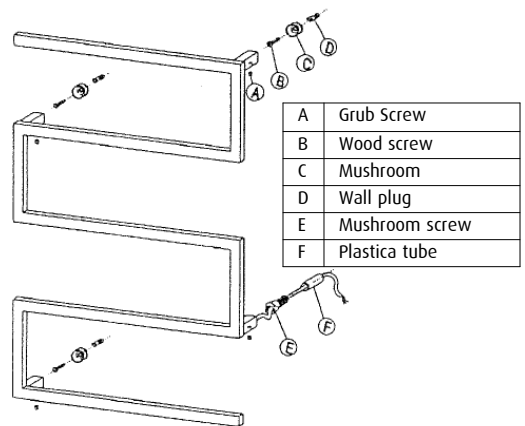
Note :

- This class 1 appliance requires an earth connection.
- An accessible all pole disconnection switch is required in the fixed wiring.

The heated towel rail should be mounted vertically with the cord exiting from the base; it should be positioned at least 600mm above the floor.

Recommended mounting procedures

- Put the towel rail against the wall in the desired position.
- Using a pencil, draw around the end of each tube to mark their positions on the wall – ensuring that the rail is square on the wall.
- Remove the rail from the wall.
- Using a suitable drill bit and adequate drill, drill a hole into the tiles/wall to the required depth.
- Place a wall plug in the hole.
- Place a screw inside the wall anchor and then screw it into the wall plug.
- Put the towel rail on once all four anchors are in place then tighten using the Allen key provided.



Safety information

As with any electrical appliance, you should be aware of basic safety precautions when using this heated towel rail. Please read these instructions, and file them for future reference:

- Because this appliance gets hot, young children and infirm people should be closely supervised when nearby. Do not let young children treat the towel rail as a toy.
- Special purpose tools are required for the replacement of the power supply cord and element.
- Be aware that the towel rail will get slightly hotter than normal during warmer weather and when insulated by towels.
- The rail should NOT be used for anything other than its intended use.
- Do not put the towels or anything else which has been in contact with hazardous liquids on this towel rail.
- Use this appliance only on the voltage specified on the rating label.
- Electrical work to be performed by a registered electrician.
- Do NOT immerse the towel rail in any liquid.
- Make sure the supply cord never touches heated surfaces.
- Ensure that the towel rail is wiped down from time to time with a damp cloth and a stainless steel cleaner. Do not use any abrasives or corrosive cleaners.
- If the electrical cord or connection is damaged DO NOT attempt to repair; please contact the supplier.

WARNING: DO NOT install towel rails in areas which may be subjected to saturation of water resulting in ingress of moisture. It is recommended that all units are protected via a R.C.D (Residual Current Device) circuit.

Operation:

It will take about ¾ hour to heat up to the desired temperature and can, if desired, be left running constantly.

Safety information

| Model | PSG/PSG Black | PSS/ PSS Black | PSPC |
|--|--------------------|--------------------|---------------------|
| Dimensions | 600(h) x 800(w) mm | 900(h) x 650(w) mm | 400(h) x 1200(w) mm |
| Height | 600mm | 900mm | 400mm |
| Width | 800mm | 650mm | 1200mm |
| Depth | 115mm | 115mm | 115mm |
| Bars | 4 | 5 | 4 |
| Electrical | | | |
| Wattage | 60W | 60W | 80W |
| Supply 230-240V ~ 50Hz, single phase Ingress Protection Rating: IP45 – Splashproof Class I appliance – requires earth connection | | | |