

Agate Bathroom Heater



The Airelec Agate Heater is practical and discreet and is recommended for bathrooms, kitchens etc

Specifications

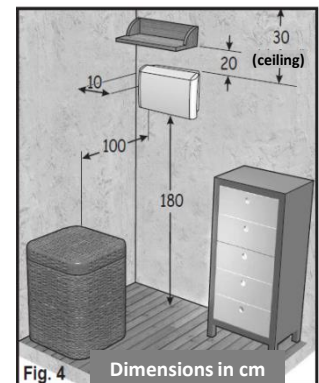
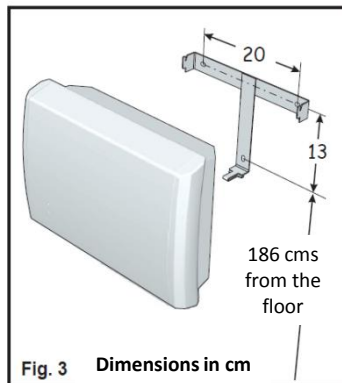
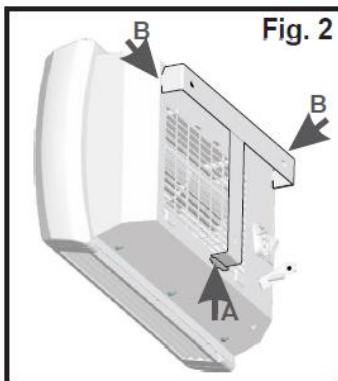
Resistance with low thermal inertia • Control knob • Automatic thermal safety • Steel casing • Polymerised polyester epoxy paint • Air outlet louvre in the unit • Colour: white satin • Class II / IP 21 - 230V, 50Hz • Weight 3 kgs • Dimensions 343mm (l) x 230mm (h) x 114mm (d)



Installation

- The Airelec Agate heater must be installed by a registered electrician.
- All fixed wiring must be protected.
- This Class II appliance does not require an earth connection. It must be positioned with the grid (or the horizontal air outlet) directed downwards.
- All pole disconnection must be provided in the fixed wiring for this appliance in accordance with AS/NZS 3000:2007.
- The appliance should be mounted at a minimum height of 1.8m from the floor and 30cm from the ceiling. It must also not be less than 250mm from any adjacent projecting surface.
- When installing in a bathroom, the appliance must be installed so that switches and other controls cannot be touched by a person in the bath or shower.
- Avoid positioning the appliance behind curtains, doors to ensure that the airstream is not obstructed when in use.
- The appliance must not be located immediately below a socket outlet.
- **Caution : DO NOT COVER THE HEATER (To prevent overheating, do not cover the heater).**

Mounting Procedure

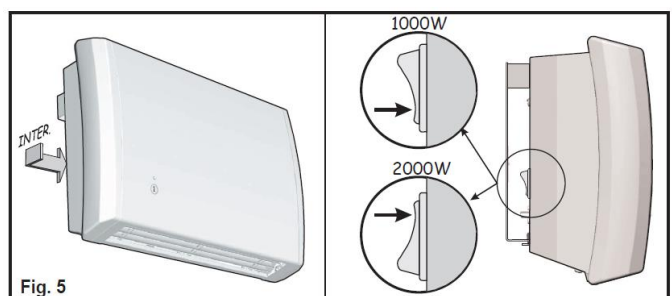


- Unhook and remove the backrest (Fig 2): unclip and unhook the legs
- The backrest must be fixed to the wall using 3 screws (max diameter 5.5mm); ensure that the clips are at the bottom). Note the safety distances shown in figures 3 and 4.

Connection

- The appliance is double insulated and does not require an earth connection.
- If the supply cord is damaged, it must be replaced by the manufacturer, its service agent or similarly qualified persons in order to avoid a hazard.

Before attaching the heater on the backrest, select the wattage required (1000W or 2000W) by turning the power switch on the back of the heater. It is possible to change the power from 1000W to 2000W at any time by turning this switch.



Connection

Use of the model with switch

Pull the cord downwards to start the heater (with the previously selected wattage (1000W /2000W). Pull the cord again to stop the heater.

Use of the model with timer

Pull the cord to start the heater with the previously selected power (1000W or 2000W). The heater automatically begins to operate for a period of approximately 15 minutes.

Safety

- Do not cover the heater or block the intake grids or air outlet.
- This appliance is not intended for use by persons (including children) with reduced physical, sensory or mental capabilities, or lack of experience and knowledge, unless they have been given supervision or instruction concerning use of the appliance by a person responsible for their safety.
- To maintain the performance of the heater, it is necessary to regularly remove dust from the interior by using a vacuum cleaner on the inlet and air outlet.
- Children should be supervised to ensure that they do not play with the appliance.
- Use a soft cloth to remove the dust. To remove a stain, moisten the cloth.
- Never use abrasives as they might damage the Polyester coating of the heater.
- The device is protected by a thermal safety switch. If the unit overheats, the switch turns the unit off.
- To reset – turn the function switch to the position 0 and wait for 5 minutes.
- For the heater with timer – wait for the timer to stop completely.
- Check that the air intake grids(rear panel) or air outlet(front) are not obstructed or blocked – clean them if necessary.
- Restart the device. If the fault persists – contact a registered electrician.

Caution: In order to avoid a hazard due to inadvertently resetting the thermal cut-out, this appliance must not be supplied through an external switching device, such as a timer or connected to a circuit that is regularly switched on and off by the utility.

Product Warranty – 10 year warranty

Any bathroom heater that is found to be defective due to substandard materials and/or workmanship within **10 (ten)** years from the date of purchase, will be replaced. To make a claim under this warranty, contact the store where you purchased your product.

Your claim will be assessed based on the information you provide. You will be required to return the defective product for assessment at your cost. The warranty does not cover any installation or removal costs. The benefits given by this warranty are additional to other rights and remedies that you may have under laws relating to our products.

Our goods come with guarantees that cannot be excluded under the New Zealand/Australian Consumer Law. You are entitled to a replacement or refund for a major failure and for compensation for any other reasonably foreseeable loss or damage. You are also entitled to have the goods repaired or replaced if the goods fail to be of acceptable quality and the failure does not amount to a major failure.

- The warranty does not extend to any consequential loss, damage, misuse, neglect, alteration or incorrect installation.
- Items that have been cleaned with anything other than a stainless steel cleaner, will not be replaced.
- Attach your proof of purchase and keep it in a safe place with this warranty form. You must have your proof of purchase for your warranty to be valid.